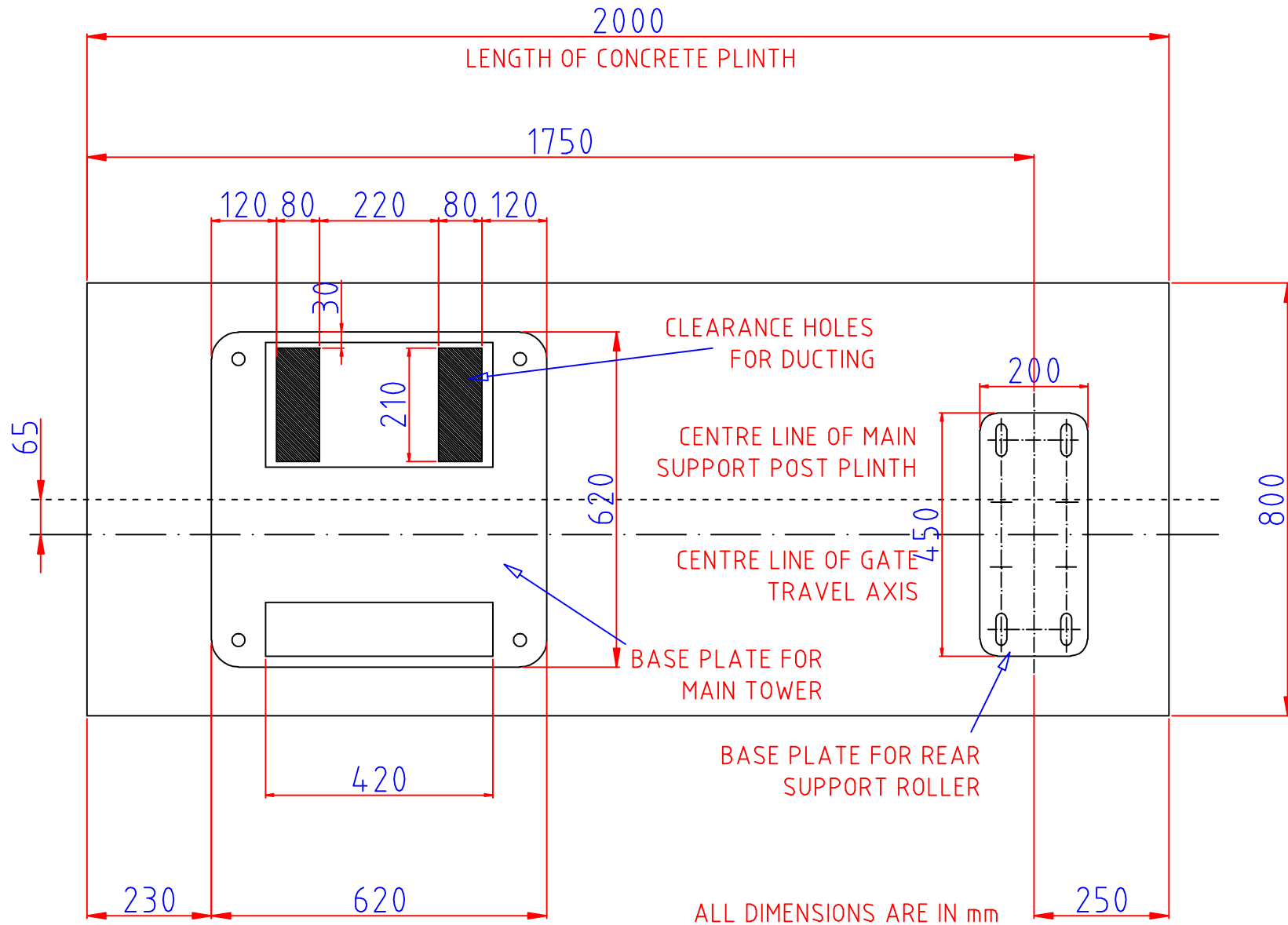


MAIN SUPPORT POST AND REAR ROLLER PLINTH



DRAWN BY:	STUART RUSSELL	TITLE : 3M X 2.4M RH AUTOMATIC SLIDING GATE PLINTH DIMENSIONS			
DATE :	16/12/2009				
SCALE :	SCHEMATIC	DRAWING NUMBER :	N/A	REVISION :	1